

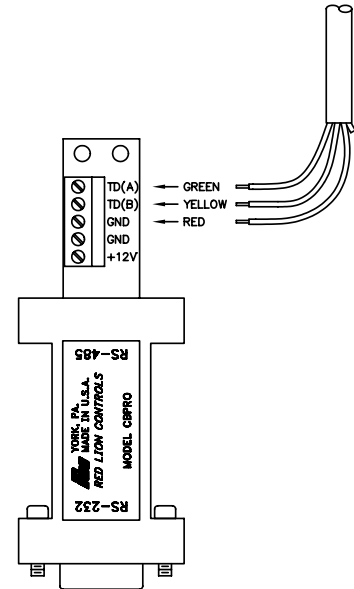
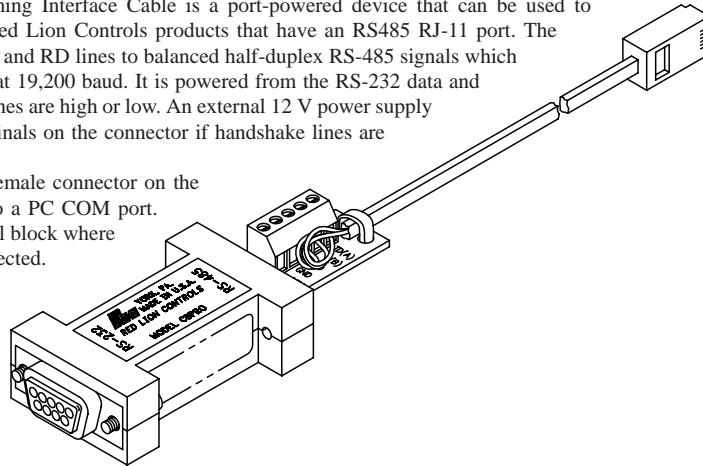
## DLC & IAMS/ITMS CABLES

### MODEL CBPRO - PROGRAMMING AND INTERFACE CABLE

#### DESCRIPTION

The CBPRO007 Programming Interface Cable is a port-powered device that can be used to download or interface with Red Lion Controls products that have an RS485 RJ-11 port. The cable converts the RS-232 TD and RD lines to balanced half-duplex RS-485 signals which can transmit up to 4,000 feet at 19,200 baud. It is powered from the RS-232 data and handshake lines whether the lines are high or low. An external 12 V power supply can be connected to two terminals on the connector if handshake lines are not available.

The CBPRO has a DB-9 female connector on the RS-232 side for connection to a PC COM port. The RS485 side, has a terminal block where the 7' long RJ11 cable is connected.



#### SPECIFICATIONS

##### 1. POWER REQUIREMENTS: Port powered \*

\* An external 12 VDC (unit draw @ 35 mA max.) can be applied if RS-232 output handshake lines are not available.

*Note: When using an external supply, the supply should be connected only to specifically labeled terminal block power inputs. Connecting an external supply to the handshake lines may damage the unit.*

##### 2. BAUD RATE: 19200 Baud max.

##### 3. RS-232 SIDE:

Connector: DB-9 female

SIGNAL	PIN	JUMPERED
TD	2	
RD	3	
GND	5	
RTS	7	to pin 8
CTS	8	to pin 7
DTR	4	to pin 6, 1
DSR	6	to pin 4, 1
CD	1	to pin 4, 6

##### 4. RS485 SIDE:

Connector: terminal block

TERMINAL	RJ11 CABLE
TD(A)	Green
TD(B)	Yellow
GND	Red
GND	*
+12V	*

\* External 12 VDC supply optional.

##### 5. CERTIFICATIONS AND COMPLIANCE:

Immunity to EN 500082-1 Residential, Commercial and Light Industry (IEC 801-2, IEC 801-3, IEC 801-4)

Emissions to EN 500081-1 Residential, Commercial and Light Industry (EN 55022)

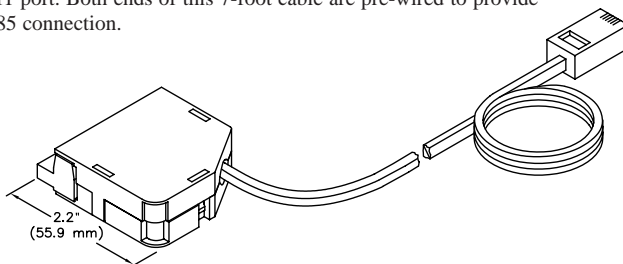
##### 6. CONVERTER DIMENSIONS: L = 3.50" (88.9 mm) x W = 1.34" (34 mm) x H = 0.67" (17 mm)

##### 7. CABLE LENGTH: 7 feet (2.13 meters)

## PARADIGM TO RS485 RJ-11 INTERFACE CABLE

#### DESCRIPTION

The Paradigm to RJ-11 Interface Cable allows the Paradigm operator interfaces to be easily connected to any Red Lion Controls DIN rail module with an RS485 RJ-11 port. Both ends of this 7-foot cable are pre-wired to provide a reliable RS485 connection.



#### ORDERING INFORMATION

MODEL	DESCRIPTION	PART NUMBER
CBPRO	Programming Interface Cable	CBPRO007
	Paradigm to RJ-11 Interface Cable	P893805Z